



HEXAGON
MANUFACTURING INTELLIGENCE



TESA
TECHNOLOGY

TESA QUICK DEALS 2018-2



Special promotion up to 57% off the list price

Prices valid until: **30.09.2018** or while stock reserved
for this promotion lasts

Prices exclude VAT

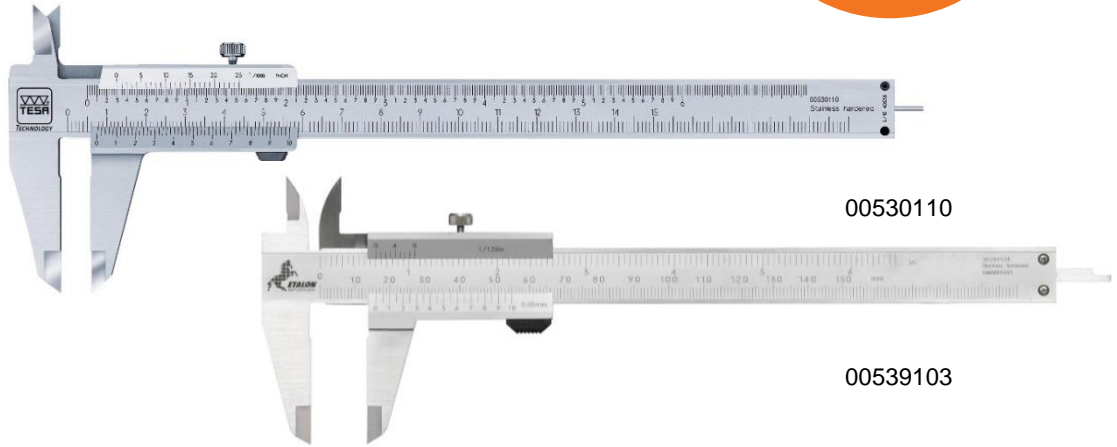
Version EN – Euro

HexagonMI.com | TESAtechnology.com

UNIVERSAL VERNIER CALIPERS

Up to
-57%

- TESA and Etalon models
- With square or round depth rod
- DIN 862



Order Number	Description	Reading	List price EUR	Rebate	Promo price EUR
--------------	-------------	---------	----------------	--------	-----------------

TESA Models

00510041	TESA 150 mm RD	0.02 mm	60 €	- 43 %	34 €
00510047	TESA 150 mm RD	0.05 mm	60 €	- 43 %	34 €
00530103	TESA 150 mm / 6" RD	0.05 mm / 1 /128 in	65 €	- 55 %	29 €
00530104	TESA 200 mm / 8" SQ	0.05 mm / 1 /128 in	95 €	- 38 %	59 €
00530105	TESA 300 mm / 12"	0.05 mm / 1 /128 in	180 €	- 45 %	99 €
00530110	TESA 150 mm / 6" RD	0.02 mm / 0.001 in	65 €	- 55 %	29 €
00530111	TESA 200 mm / 8" SQ	0.02 mm / 0.001 in	95 €	- 38 %	59 €
00530112	TESA 300 mm / 12"	0.02 mm / 0.001 in	180 €	- 45 %	99 €
00530120*	TESA 150 mm / 6" SQ	0.05mm / 1/128 in	70 €	- 49 %	36 €
00530121*	TESA 150 mm / 6" SQ	0.02 mm / 0.001 in	70 €	- 49 %	36 €

ETALON Models

00539103	ETALON 150 mm / 6" SQ	0,05 mm / 1 /128 in	40 €	- 53%	19 €
00539104	ETALON 200 mm / 8" SQ	0,05 mm / 1/128 in	78 €	- 55%	35 €
00539105	ETALON 300 mm / 12"	0,05 mm / 1/128 in	184 €	- 57%	79 €
00539111	ETALON 200 mm / 8" SQ	0,02 mm / 0.001 in	78 €	- 50%	39 €
00539112	ETALON 300 mm / 12"	0,02 mm / 0.001 in	184 €	- 52%	89 €

*self-locking model

-20%

TESA VALUELINE DIGITAL CALIPER IP67

- Highest degree of protection at best price
- With square or round depth rod
- DIN 862

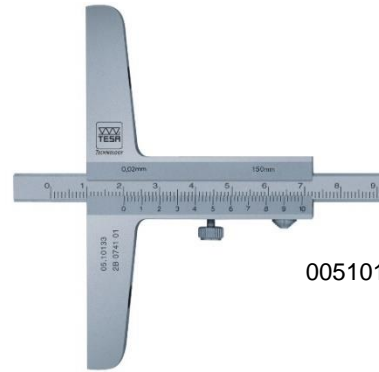
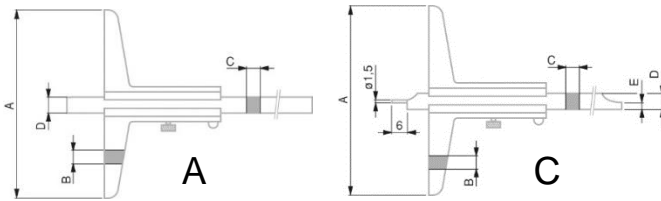


00539390

Order Number	Description	Range	List price EUR	Rebate	Promo price EUR
00539390	TESA VL IP67 SQ	0-150 mm / 6 in	99 €	- 20%	79 €
00539391	TESA VL IP67 RD	0-150 mm / 6 in	99 €	- 20%	79 €
00539392	TESA VL IP67 SQ	0-200 mm / 8 in	156 €	- 20%	125 €
00539393	TESA VL IP67 SQ	0-300 mm / 12 in	219 €	- 20%	175 €

TESA DEPTH GAUGES

- Used in every workshop
- DIN 862



00510133

**Up to
-32%**

Order Number	Range	Reading	List price EUR	Rebate	Promo price EUR
--------------	-------	---------	----------------	--------	-----------------

Models C with short cut measuring face and steel tip

00510123	0-150 mm	0.02 mm	120 €	- 26 %	89 €
00510124	0-150 mm	0.05 mm	120 €	- 26 %	89 €
00510125	0-250 mm	0.02 mm	180 €	- 25 %	135 €

Models A with flat measuring face

00510133	0-150 mm	0.02 mm	85 €	- 19 %	69 €
00510134	0-150 mm	0.05 mm	85 €	- 19 %	69 €
00510143	0-250 mm	0.02 mm	110 €	- 19 %	89 €
00510163	0-500 mm	0.02 mm	220 €	- 32 %	149 €
00510173	0-600 mm	0.02 mm	280 €	- 29 %	199 €

Up to
-29%

TESA ISOMASTER ANALOGUE MICROMETER

- Unique mechanical design
- Slanted full millimetres on the barrel eliminate reading errors
- DIN 863



Order Number	Description	Range	List price EUR	Rebate	Promo price EUR
00110101	ISOMASTER AA	0-25 mm	172 €	- 25 %	129 €
00110102	ISOMASTER AA	25-50 mm	253 €	- 25 %	189 €
00110103	ISOMASTER AA	50-75 mm	268 €	- 26 %	199 €
00110104	ISOMASTER AA	75-100 mm	308 €	- 29 %	219 €

IMICRO ANALOGUE INTERNAL MICROMETER

- Self-centring and self-aligning internal micrometer
- Measuring bolts provide 3-line contact
- High-precision thread machined into the measuring cone
- The only internal micrometer that respect the ABBE principle



-25%

Order Number	Description	Range	List price EUR	Rebate	Promo price EUR
00812301	IMICRO Analogue	40-50 mm	596 €	- 25 %	445 €
00812302	IMICRO Analogue	50-60 mm	607 €	- 25 %	455 €
00812303	IMICRO Analogue	60-70 mm	618 €	- 25 %	465 €
00812304	IMICRO Analogue	70-80 mm	626 €	- 25 %	470 €

TESA μ -HITE

– 100mm compact measuring station

- Ideal for workpiece inspection close to production
- Max.perm.error as low as 1 μ m (2 μ m for offset measurement)
- Measures internal, external, height, depth, step and distance dimensions on flat, parallel or cylindrical surface



-15%

Order Number	Description	Range	List price EUR	Rebate	Promo price EUR
00730049	TESA μ -HITE	0-100 mm	4120 €	- 15 %	3490 €

TESA HITE PLUS M

- Ideal for recurrent measurements on the shop floor
- Most attractive price/performance ratio
- Fast and reliable 1D and 2D measurement
- SCS Calibration certificate included



00730057



Up to
-31%

Order Number	Description	List price EUR	Rebate	Promo price EUR
00730045	TESA HITE PLUS M 400	5611 €	- 31 %	3899 €
00730046	TESA HITE PLUS M 700	6135 €	- 30 %	4295 €
00730057	TESA HITE PLUS M 400 + printer	5990 €	- 30 %	4199 €
00730058	TESA HITE PLUS M 700 + printer	6526 €	- 30 %	4595 €

00730046

DIAL GAUGES AND INDICATORS

- Robust and popular indicators with great price/performance ratio



01419151



0141760636

Up to
-57%



01819006

Order Number	Range	Reading/ diameter	List price EUR	Rebate	Promo price EUR
0141760636*	10 mm	0.01 mm / 58 mm	65 €	- 55%	29 €
01419151	1 mm	0,001 mm / 58 mm	114 €	- 57%	49 €
01819006	0.8 mm	0.01mm / 38 mm	94 €	- 50%	47 €

*equipped with central lug back

MEASURING SUPPORT

- Flexible adaption with high adhesion
- TESA Mini Support also available as set with TESATAST (01639055)



01639123



01639010

Up to
-51%

Order Number	Description	List price EUR	Rebate	Promo price EUR
01639123	ETALON Magnetic Stand	59 €	- 51%	29 €
01639010	TESA Mini Support	66 €	- 21%	52 €



ISO 9001

SCHUT.COM

Schut Geometrische Meettechniek bv
(Schut Geometrical Metrology)
Duinkerkenstraat 21, 9723 BN Groningen

The Netherlands

Tel: +31-(0)50-5877877

E-mail: SchutNL@Schut.com